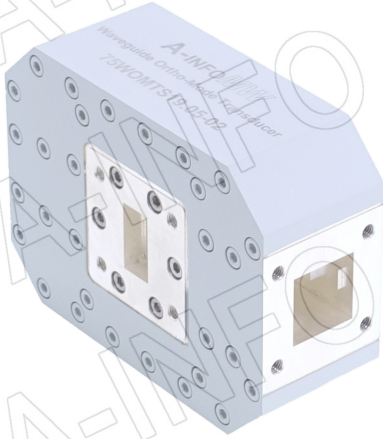


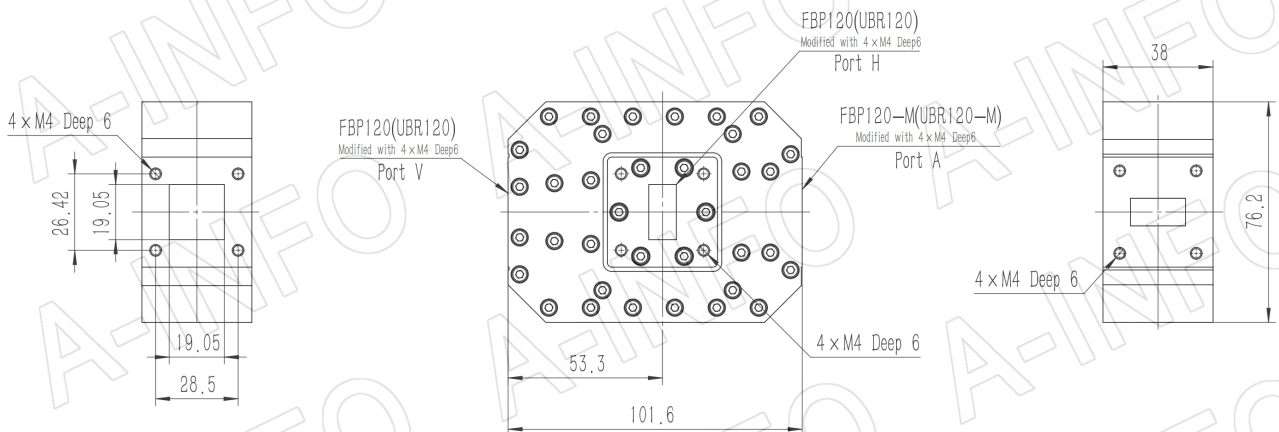
For reference only. See data sheet for the detailed specifications.

Technical Specification

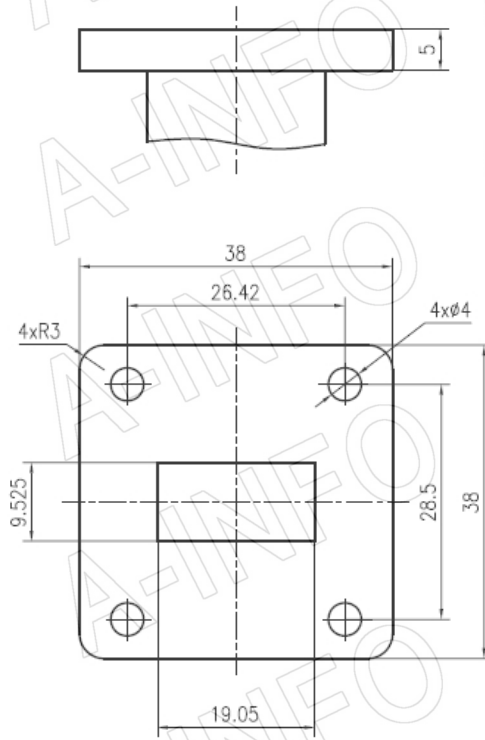


EIA WR	WR75
Frequency Range(GHz)	10.0 – 15.0
Bandwidth	Full
Common Port	19.05mm Square WG
Insertion Loss(dB)	0.3 Max.
VSWR	1.50:1 Typ.
Cross Pol. Isolation(dB)	50 Typ. ; 40 Min.
Port to Port Isolation(dB)	40 Min.
Common Port Flange	FBP120-M(UBR120-M) (Modified with 4xM4 Deep 6)
Flange	FBP120(UBR120) (Modified with 4xM4 Deep 6)
Material	Al
Finish	Sliver Plated, Gray Paint
Size(mm)	101.6 x 38 x 76.2
Net Weight(Kg)	0.69 Around

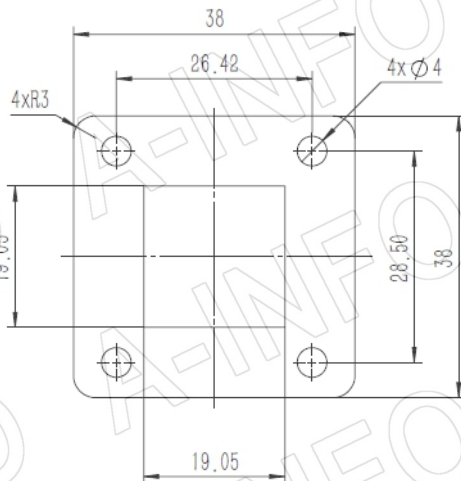
Outline Drawing (Size: mm)



Flange Drawing (Size: mm)



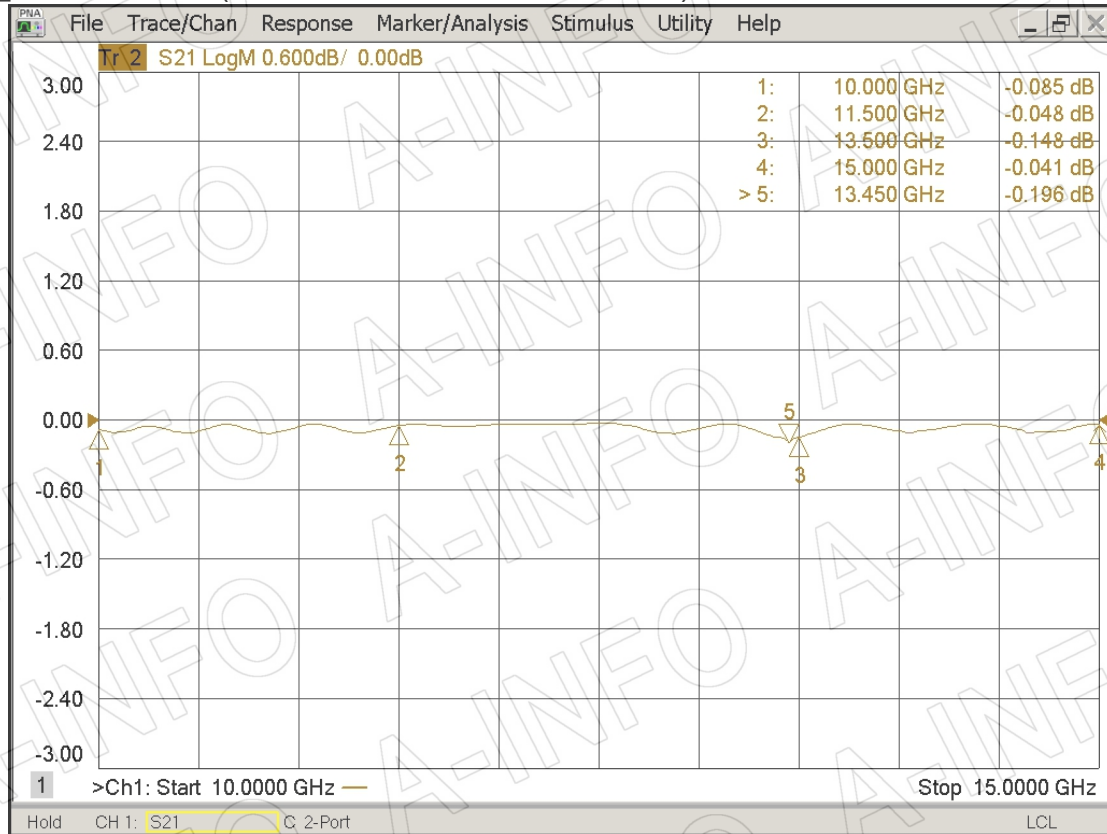
FBP120



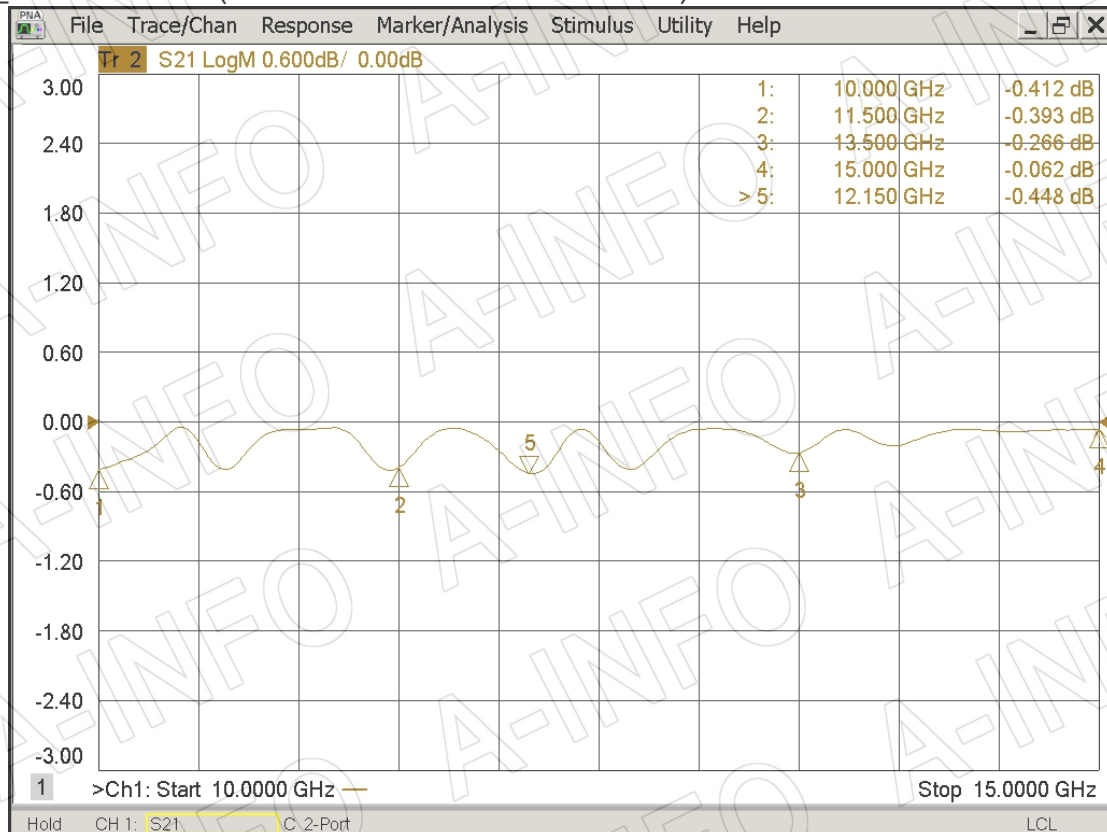
FBP120-M

Test Results

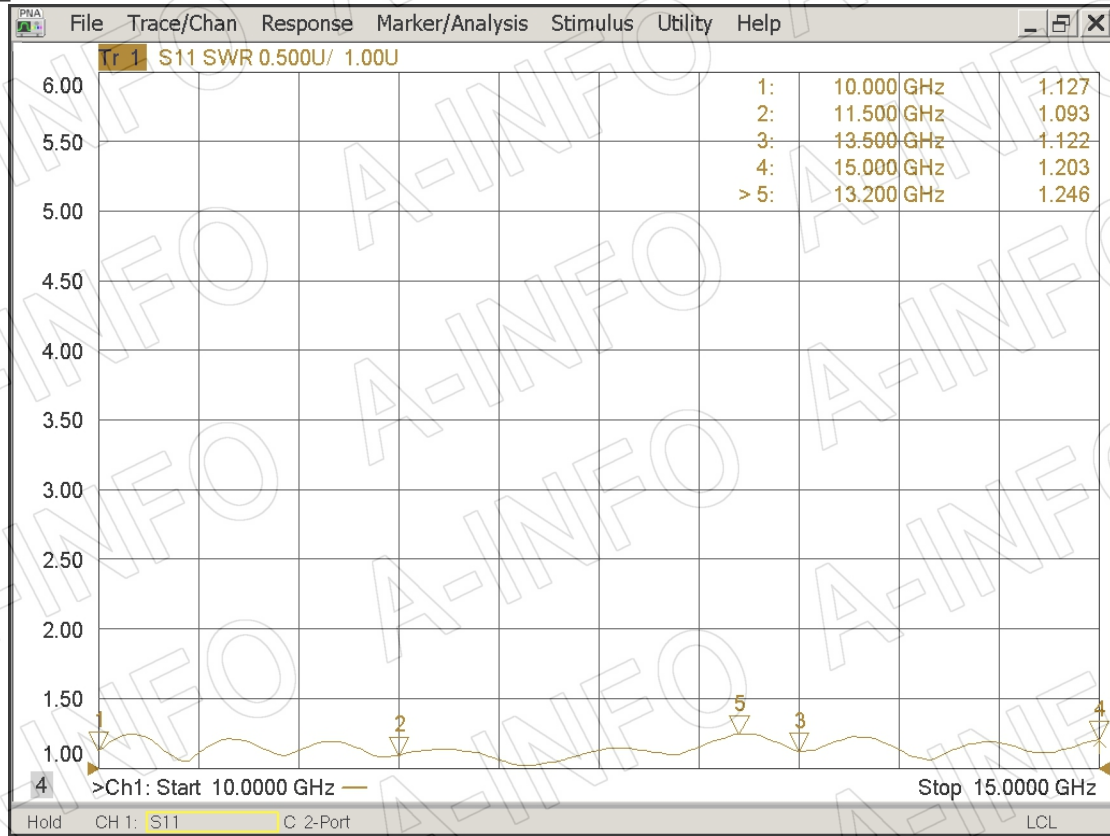
Port H Insertion Loss (Test with two OMT back to back)



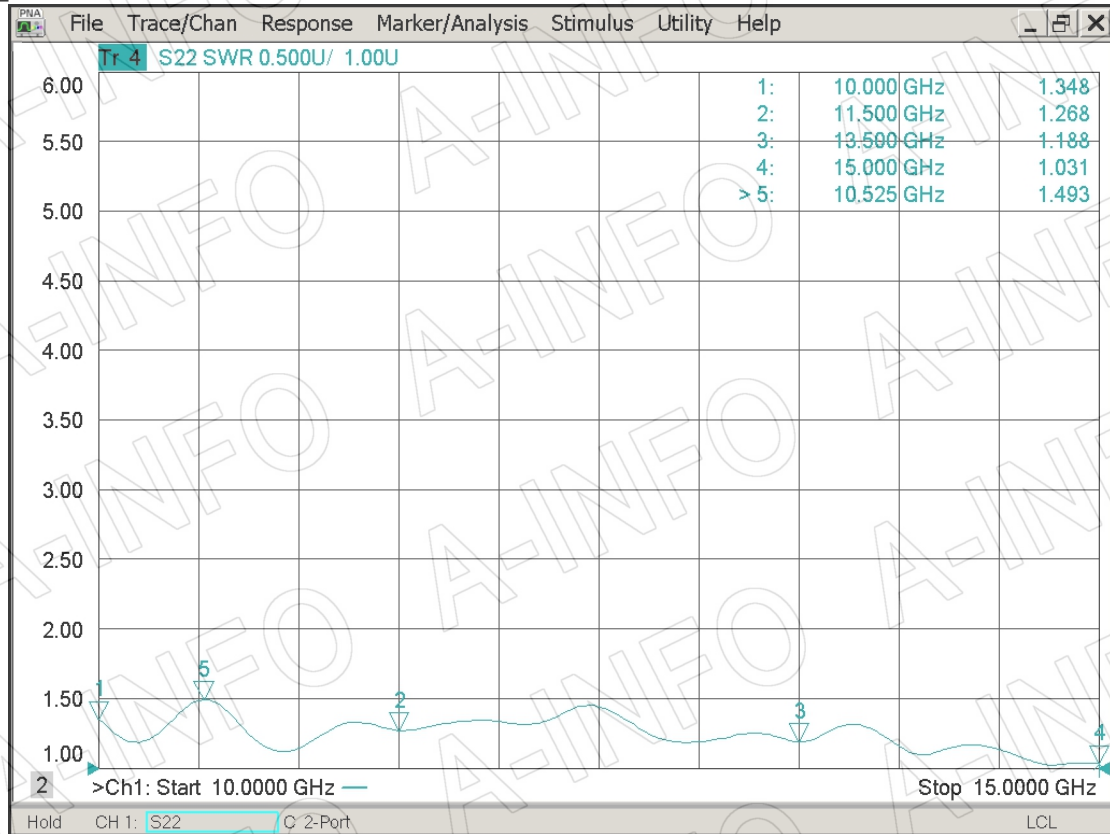
Port V Insertion Loss (Test with two OMT back to back)



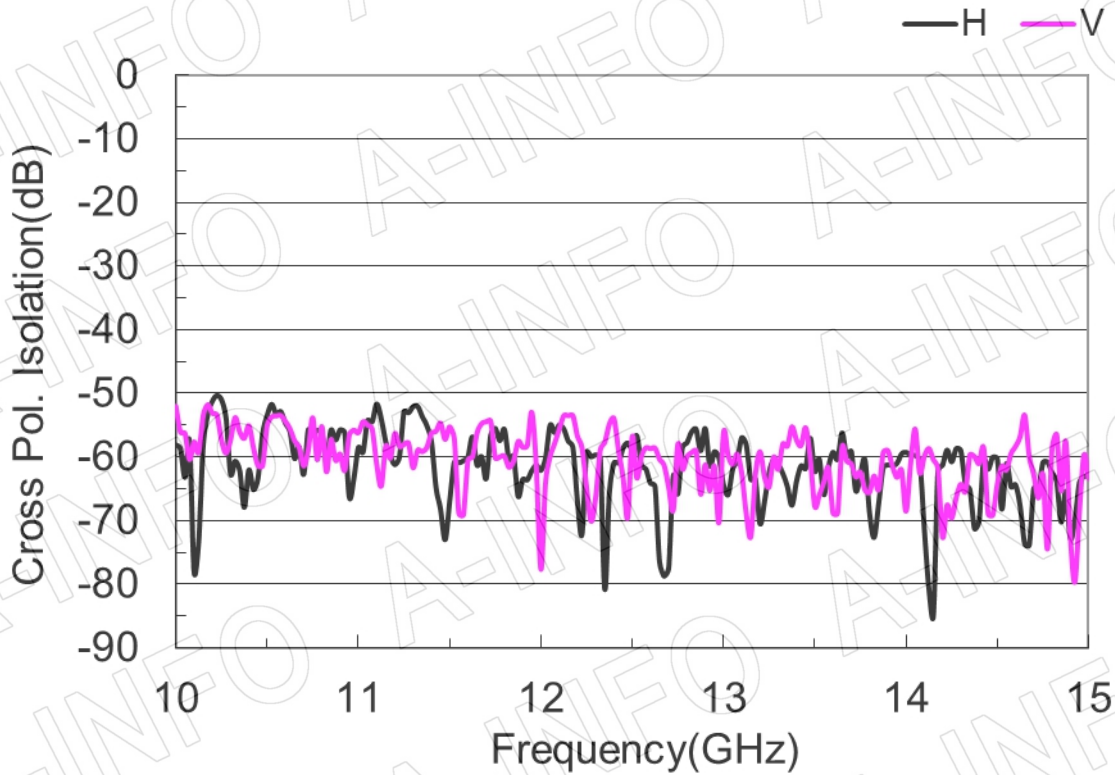
Port H_VSWR



Port V_VSWR



Cross Polarization Isolation



Port to Port Isolation

